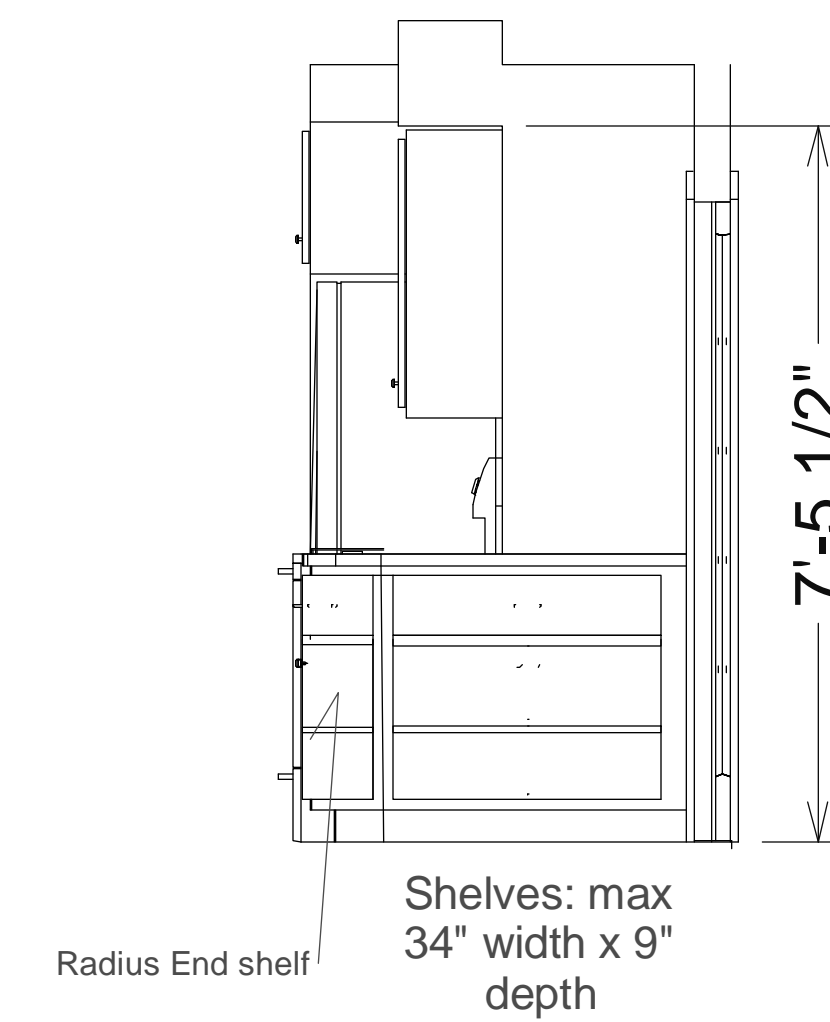
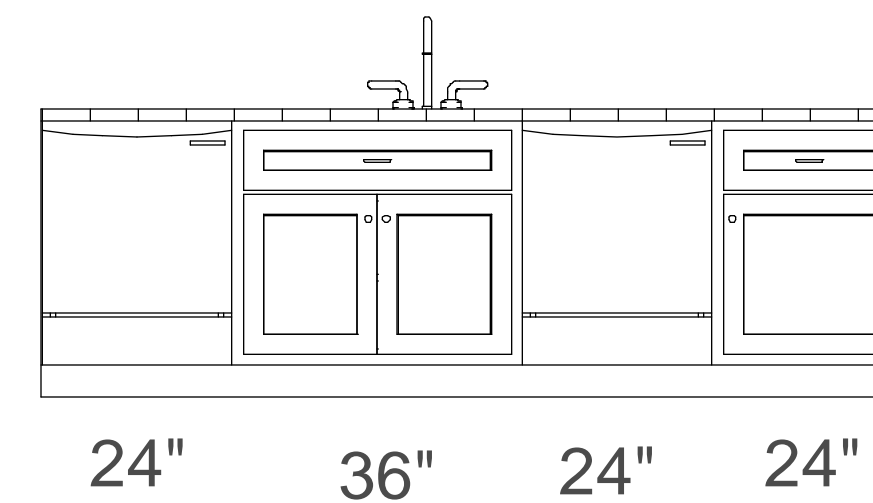
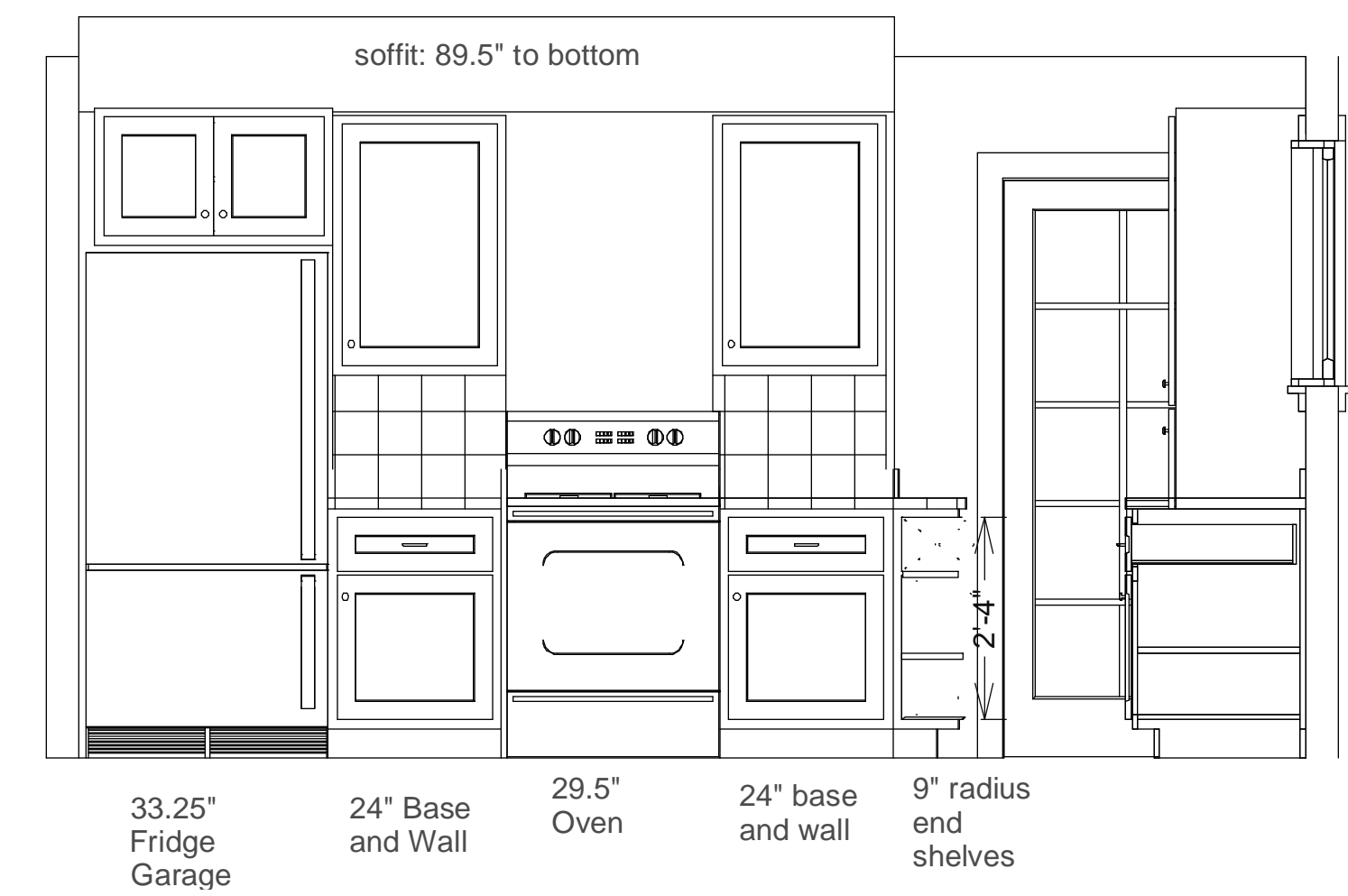
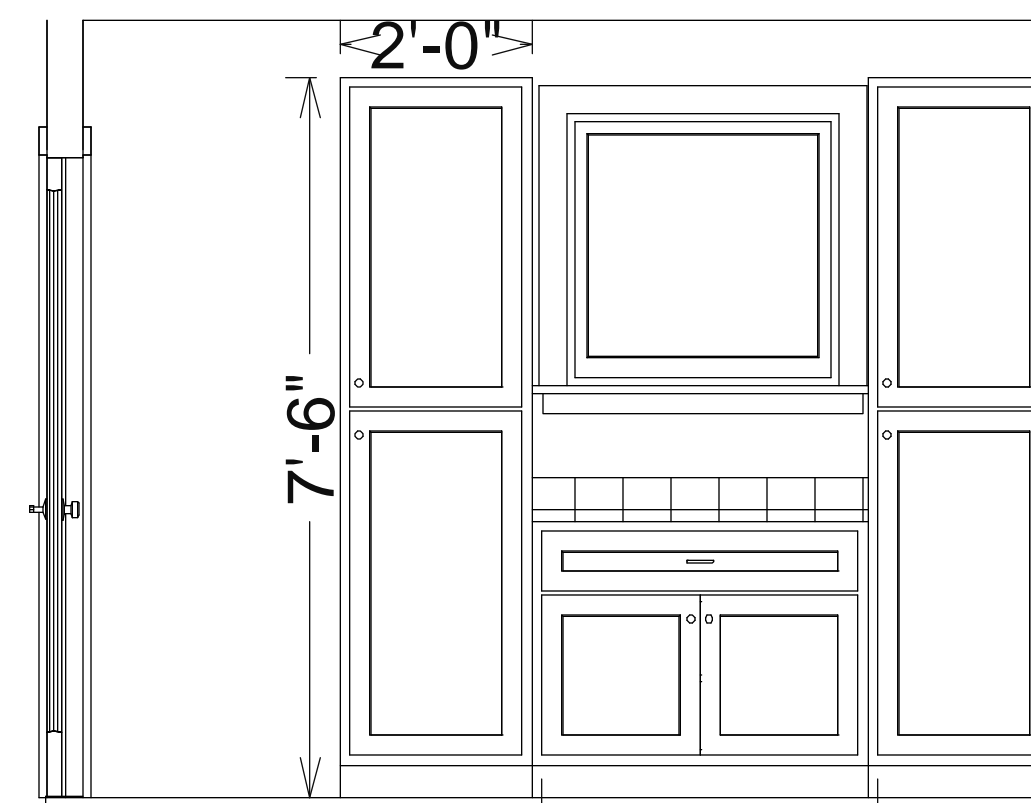


Plumbing behind cabinets: Need 4"-5" wide Finished cabinet for back of Island to hide plumbing:

NOTE: Sink cabinet needs back to hide P-trap, water and electric. Installers will drill holes for plumbing and electric.



PROJECT ADDRESS
206 Gibson Ave
Mill Valley, CA 94941
OWNER
Richard A. Rifkin

206 Gibson Ave, Mill Valley